



G-R HARD IRON FITTED BASIC PUMP
EQUIPPED WITH



SELF-PRIMING CENTRIFUGAL PUMP



Model: T6F71SC-B

Various Patents Apply

Pump Specifications

| | |
|-------------------------------------|--|
| Size | 6" x 6" (152 mm x 152 mm) NPT - Female |
| Impeller Type | Semi-Open, Continuous Vane |
| Solids-Handling Capability | 2.25" (57,1 mm) Spherical Diameter |
| Seal Type | Mechanical, Oil-Lubricated, Double Floating, Self-Aligning |
| Radial Bearing | Open Single Row Ball |
| Thrust Bearing | Open Double Row Ball |
| Bearing and Seal Cavity Lubrication | SAE 30 Non-Detergent Oil |
| Maximum Operating Pressure | 78 psi (538 kPa)* |
| Max Temp of Liquid Pumped | 160°F (71°C).* |

Pump Materials

| | |
|--------------------------------------|--|
| Casing | Gray Iron 30 |
| Impeller | GR Hard Iron |
| Impeller Shaft | Stainless Steel 17-4 PH |
| Seal: Stationary Face | Silicon Carbide |
| Rotating Face | Silicon Carbide |
| Elastomer | Fluorocarbon FKM, (Viton® or Equivalent) |
| Replaceable Self Cleaning Wear Plate | Hardened Alloy Steel |
| Removable Adjustable Cover Plate | Gray Iron 30 |
| Removable Inspection Cover Plate | Gray Iron 30 – 20 lbs. (9,1 kg.) |
| Flap Valve | Neoprene with Nylon and Steel Reinforcing |
| Seal Plate | GR Hard Iron |
| Bearing Housing | Gray Iron 30 |
| Flanges | Gray Iron 30 |
| Gaskets | Buna-N, Compressed Synthetic Fiber, Vegetable Fiber, PTFE, Cork and Rubber |
| O-Rings | Buna-N, Fluorocarbon (Viton® or Equivalent) |
| Hardware | Standard Plated Steel |

*Consult Factory for Applications Exceeding Maximum Pressure and/or Temperature Indicated.

Standard Equipment: Brass Pressure Relief Valve, Bearing and Seal Cavity Oil Level Sight Gauges. Eradicator Plus Solids Reduction System with Self-Cleaning Wearplate and Heavy-Duty Continuous Vane Impeller.

Optional Equipment: Automatic Air Release Valve, Metal Bellows Seal, Tungsten Titanium Carbide Seal, 120V/240V Casing Heater, High Pump Temperature Shutdown Kit, GR Hard Iron Casing, Drain Kit, Gauge Kit.

Suction and Discharge Spool Flanges:

6" ASA (Specify Model T6F71SC-B /F)

150 mm DIN 2527 – PN 16 (Specify Model T6F71SC-B /FM).



Shown with Optional Suction and Discharge Spool Flanges (Available in ASA or DIN Standard Sizes).

Super T Series With Eradicator Plus Features and Benefits

Easy To Service And Maintain - Pump is mounted above liquid being pumped with only the suction line down in liquid.

Dual Bearing Protection – An atmospheric barrier along with two lip seals provide additional protection of the pump bearings (not available on 2" models).

Inspection Cover – Patented, lightweight inspection cover for easy access to the impeller without removing the entire backcover plate or piping.

Self-Cleaning Wearplate - Constructed of G-R hard iron and incorporating notches, grooves and a lacerating tooth that is designed to cut and shred organic solids before they enter the interior of the pump, greatly reducing troublesome clogging and expensive downtime.

Continuous Vane Impeller - Constructed of G-R hard iron for the most aggressive waste-handling applications. The pump out vanes incorporated into the thick back shroud help prevent the buildup of debris behind the impeller.

Removable Rotating Assembly – The entire rotating assembly can be removed without disturbing the pump volute or piping allowing the rotating assembly to be easily repaired or quickly replaced with a new ready to drop in assembly.

G-R Hard Iron - This durable material provides superior performance by extending the pump life up to six times over standard cast iron or ductile iron components. G-R Hard Iron has a measured hardness in excess of 400 Bhn (Brinell), providing the best abrasion resistance for nearly all pumping applications.

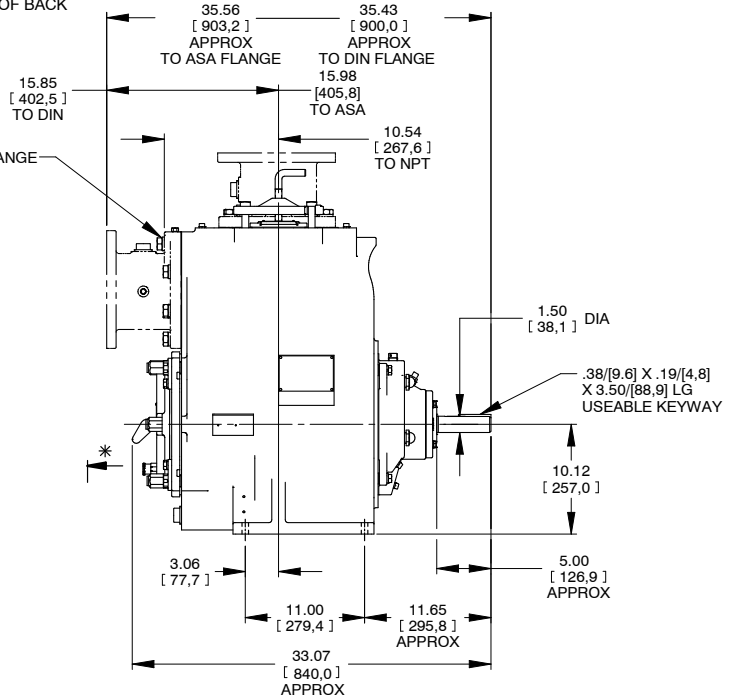
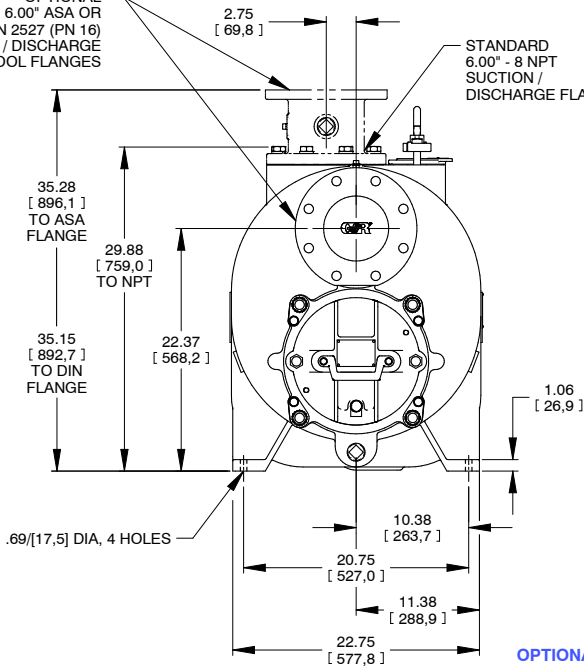
APPROXIMATE DIMENSIONS AND WEIGHTS

| | |
|------------------------|----------------------------|
| NET WEIGHT | 905 LBS. (411 KG.)* |
| SHIPPING WEIGHT | 990 LBS. (449 KG.)* |
| EXPORT CRATE | 32.5 CU. FT. (0,92 CU. M.) |

*Add 25 LBS. (11,3 KG.) w/each spool flange

★18.00/[457,2] RECOMMENDED FOR REMOVAL OF BACK COVER PLATE
 T6AS-B / T6CSC-B - 11.00/[279,4] REQUIRED FOR REMOVAL OF BACK COVER PLATE
 T6BS-B / T6DS-B / T6ESC-B / T6FSC-B - 12.00/[304,8] REQUIRED FOR REMOVAL OF BACK COVER PLATE

OPTIONAL
 6.00" ASA OR
 150MM DIN 2527 (PN 16)
 SUCTION / DISCHARGE
 SPOOL FLANGES



OPTIONAL ASA OR DIN STANDARD SUCTION & DISCHARGE SPOOL FLANGES AVAILABLE

